

Delivering leading edge, innovative power solutions for more than **30** years....

Model:GTA41077P150380-F

July 28, 2021

GTA41077P150380-F

Information

Model Number	GTA41077P150380-F
Description	GTA41077P150380-F, ICT/ITE Power Supply, Open Frame/Internal, Regulated Switchmode AC-DC Power Supply AC Adaptor, , Input Rating: 100-240V~, 50-60 Hz, Molex 09-65-2058 5 Position Header Pin 1: Earth, Pin 2: Removed, PIN 3: Neutral, Pin 4: removed, Pin 5: Line, Output Rating: 150 Watts, Power rating with convection cooling (W) , 12-48V in 0.1V increments, Approvals: RoHS; CE;
Model Picture	
Agency Documents	http://www.globtek.info/certs/GTA41077P/
CE EC-Declaration	https://www.globtek.com/pdf/ec_declaration/a00a000000JBOIPEAX
RoHS/RoHS2 Declaration	https://www.globtek.com/pdf/rohs_cert/a00a000000JBOIPEAX
REACH Declaration	https://www.globtek.com/pdf/iso_certificates/REACH.pdf
Conflict Minerals Declaration	https://www.globtek.com/pdf/conflict-minerals.pdf

Delivering leading edge, innovative power solutions for more than **30** years....

Model:GTA41077P150380-F

July 28, 2021

MODEL PARAMETERS

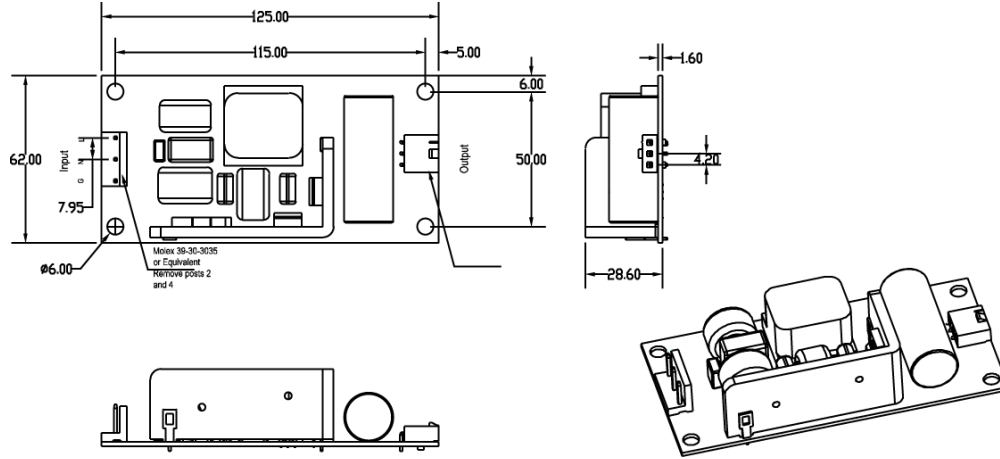
Type	Open Frame/Internal
Technology	Regulated Switchmode AC-DC Power Supply AC Adaptor
Category	ICT/ITE Power Supply
Input Voltage	100-240V~, 50-60 Hz
I/P Amps (A)	1.8 A
Wattage (W)	150.0
Vout Range (V)	12-48
Efficiency Level	N/A
Ingress Protection	
Size (mm)	173*72*38

Delivering leading edge, innovative power solutions for more than 30 years....

Model:GTA41077P150380-F

July 28, 2021

ENCLOSURE



Delivering leading edge, innovative power solutions for more than **30** years....

Model:GTA41077P150380-F

July 28, 2021

RATING TABLE

Model Number	Voltage	Amps(A)	Watts(W)	RFQ
GTA41077P10012-F	12 V	8.33	99.96	RFQ
GTA41077P12015-F	15 V	8	120.00	RFQ
GTA41077P12019-F	19 V	6.31	119.89	RFQ
GTA41077P12024-F	24 V	5	120.00	RFQ
GTA41077P12036-F	36 V	3.33	119.88	RFQ
GTA41077P12048-F	48 V	7.5	360.00	RFQ

Model:GTA41077P150380-F

July 28, 2021

SPECIFICATIONS

A) ELECTRICAL SPECIFICATIONS:

01. Input Voltage: 100-240 Vac
02. Input Current: 1.8 A RMS max
03. Input Frequency: 47 - 63 Hz
04. Output Regulation: +/- 10%, measured at the output connector
05. Line Voltage Regulation: +/- 1% typical measured at full load
06. Output Ripple (Vp-p): +/-2%, measured at 20 MHz bandwidth with 0.1 uf ceramic capacitor in parallel with 10 uf electrolytic capacitor connected at the end of the output connector
07. Turn-ON/OFF Overshoot: 5% maximum, 500 uS max recovery time for 25% to 50% step load
08. Turn-ON Delay: 3000 mS, maximum @ full load, nominal line
09. Hold-Up Time: 16 mS typical @ nominal input voltage and full load
11. Turn-on time: 3S AT 115V input at full load
12. Inrush Current: 40A maximum at cold start for N.A. (60A for Euro)
13. Switching Frequency: 100 KHz typical
14. Over-voltage protection: power supply not protected, system level protection is recommended
15. Over current /short circuit: power supply not protected, system level protection is recommended
16. Other protection: input fusing
17. Power factor; 0.95 min. at full load 230V input

B) PROTECTION

01. Over-Voltage: power supply not protected, system level protection is recommended
02. Short Circuit: power supply not protected, system level protection is recommended
03. Input Protection: Input line fusing

C) SAFETY

01. Dielectric Withstand Voltage: N/A, power supply is Non-Isolated
02. Earth Leakage Current: <0.25 mA at 240Vac input voltage
03. ROHS 2: Complies with EU 2011/65/EU and China SJ/T 11363-2006

D) OTHER:

01. MTBF: 200,000 Hours @ 25°C ambient temperature
02. Operating Temperature: 0°C to 40°C ambient temperature
03. Humidity: 0% to 90% relative humidity
04. Storage Temperature: -10°C to 80°C
05. Cooling: Convection

E) MECHANICAL

01. Housing: N/A, open frame
02. Size: 125.0 x 62.2 x 26.6 mm +/-1.0 mm
03. Markings: Label and/or Pad Printed on a component surface

PROPRIETARY INFORMATION

PROPRIETARY OF GLOBTEK, INC. ANY REPRODUCTION, DISCLOSURE OR USE OF THIS DRAWING, IN WHOLE OR IN PART, IS HEREBY PROHIBITED EXCEPT AS SPECIFIED IN WRITING BY GLOBTEK, INC.

<https://en.globtek.com/datasheet/id/a0Oa000000JBOIP>

Delivering leading edge, innovative power solutions for more than **30** years....

Model:GTA41077P150380-F

July 28, 2021

DERATING CURVE

Delivering leading edge, innovative power solutions for more than **30** years....

Model:GTA41077P150380-F

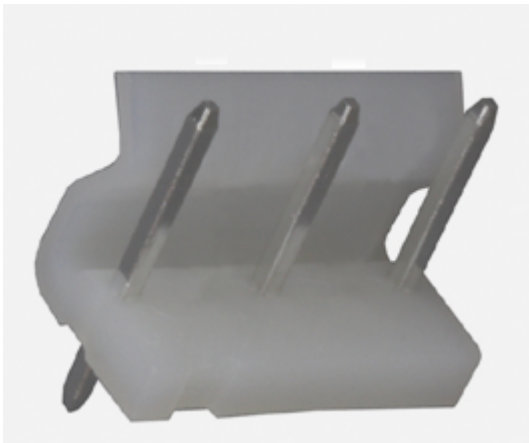
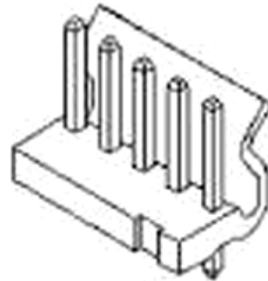
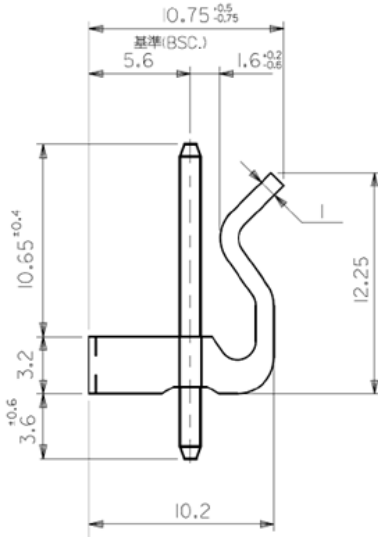
July 28, 2021

INPUT CONFIGURATION

Description Molex 09-65-2058 5 Position Header Pin 1: Earth, Pin 2: Removed, PIN 3: Neutral, Pin 4: removed, Pin 5: Line

Document: http://www.molex.com/pdm_docs/sd/009652058_sd.pdf

Catalog Page: http://www.molex.com/molex/products/datasheet.jsp?part=active/0009652058_PCB_HEADERS.xml



Mates With Part(s):





5195 SPOX™ Crimp Housing, 5239 KK® Crimp Housing

Delivering leading edge, innovative power solutions for more than **30** years....

Model:GTA41077P150380-F

July 28, 2021

Approvals

Logo	Description
	CE Certification
	Protective Earth (ground)
	Indoor Use Only - Mark is on the label or Molded in the case
RoHS	Specifications of directive 2011/65/EU Annex VI (ROHS-2) with amendment 2015/863-EU (ROHS-3) http://www.ce-mark.com/Rohs%20final.pdf
	UKCA Certification